





3D panels

The unique properties of plywood offer many options for its finishing.

Bent-glued 3D panel combination with perforations and additional materials are both decorative and offer acoustic solutions.

The panels are suitable for fastening to walls or ceilings in both public and private spaces.

Specification

Size: 608 x 608 x 45 mm

Weight: 3.17 kg

Material: Birch plywood

Finishing: Staining and lacquering

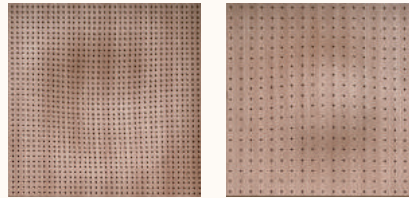


Processing

To improve the room's acoustics, we offer treating panels with perforations.

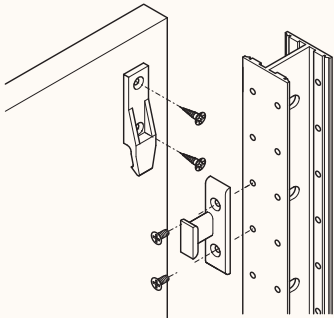
Perforation with a distance of 16 mm or 32 mm.

Perforation diameter : 8 mm.



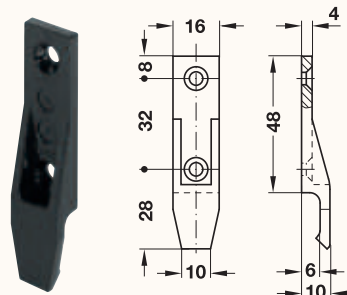
Fastening

Fastening panels with KEKU hangers :



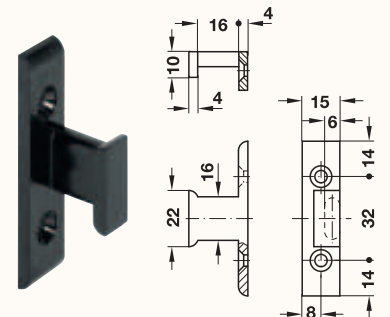
On the panel

KEKU panel section with wood screws :



On the frame

KEKU body section EHS with wood screws:



«Troja» SIA
Bauskas 143, Rīga,
LV-1004, Latvia

+371 67 607 411

troja@finieris.lv

www.troja.lv

ISO 9001

BUREAU VERITAS
Certification



ISO 14001

BUREAU VERITAS
Certification

