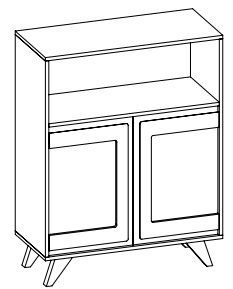
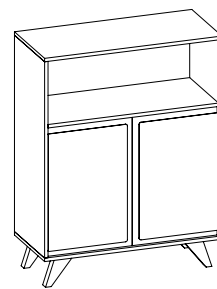
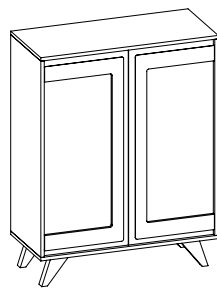
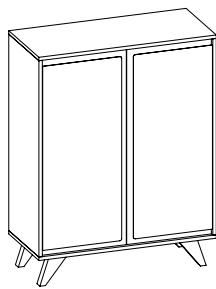
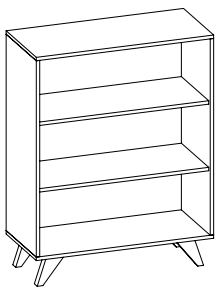


# Office furniture from birch plywood



# SETUP

Furniture collection SetUP unites classic values with modern performance. Filing cabinets may be equipped with open or closed shelves, drawer systems and glass doors. They are available in various heights and mutually compatible.



Cabinet facade doors are made of two panels



Cabinet facade doors may be equipped with “push” mechanisms



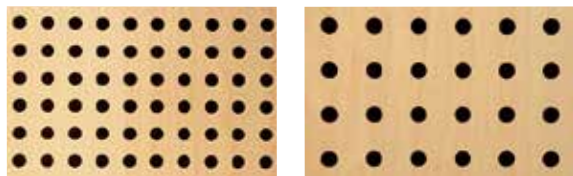
Inclined plywood legs, straight metallic legs or wheels can be chosen for the support of filing cabinets.

## Sizes:

- Height - 1212 cm
- Length - 934 cm
- Depth - 420 cm

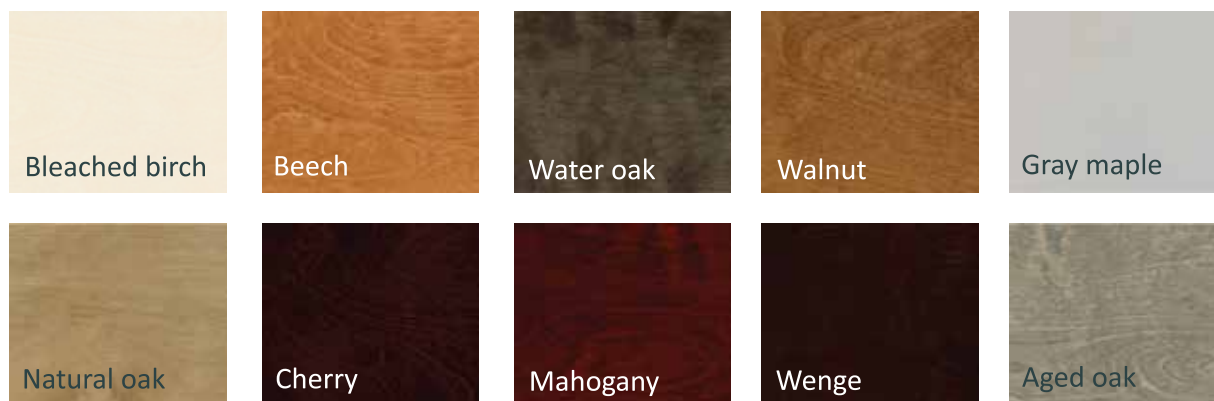
## Perforation

To improve the acoustic properties in the room, we offer to make perforations in the furniture facades with a distance of 16 mm or 32 mm between the holes.



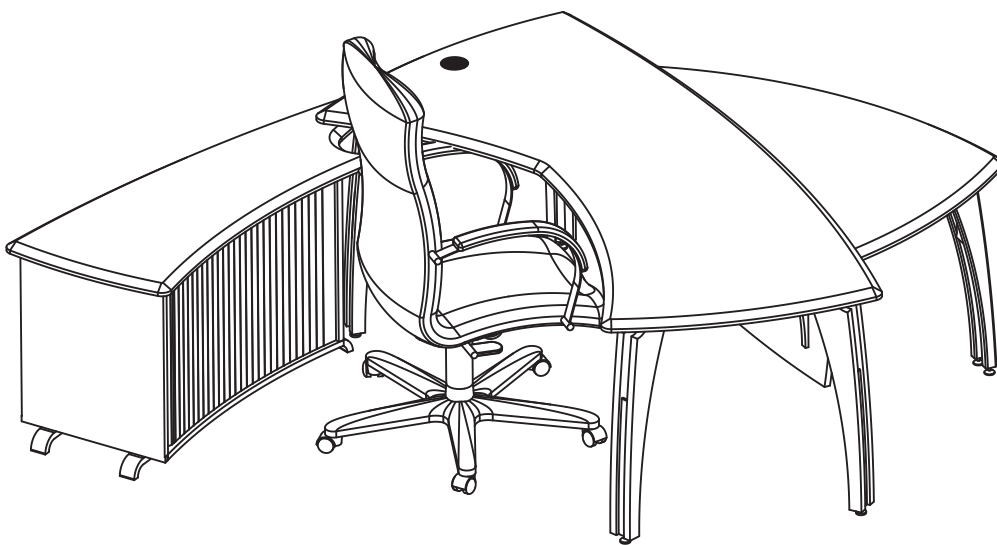
## Finish

For the processing of furniture surfaces and facades, we offer coating of various materials – artificial and natural chips, plastics (including Fenix NTM), as well as wood stains and shades of your choice.

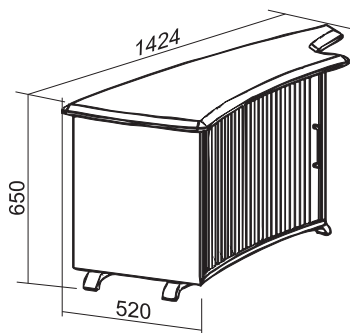


# PART

## PREMIUM PART



### Computer cabinet

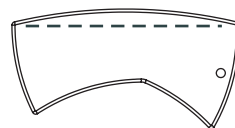
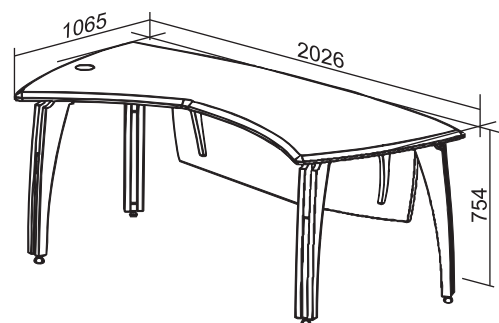


Kreisā puse

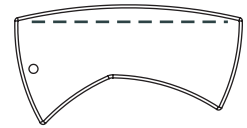


Labā puse

### Desk

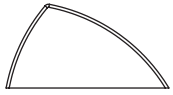
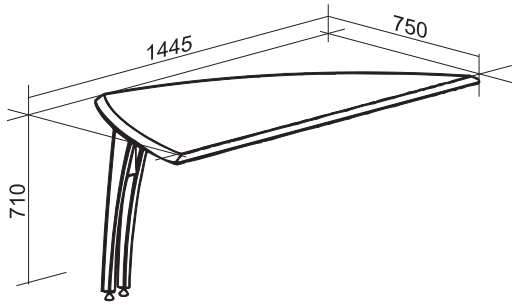


Kreisā puse

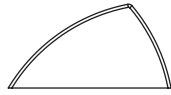


Labā puse

## Side desk



Kreisā puse



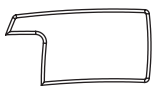
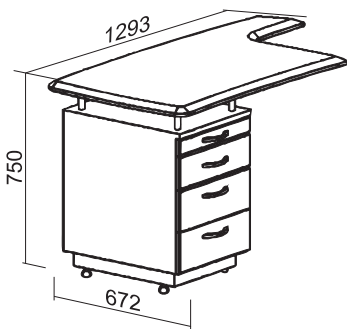
Labā puse



## PART



## Computer cabinet

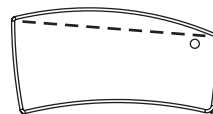
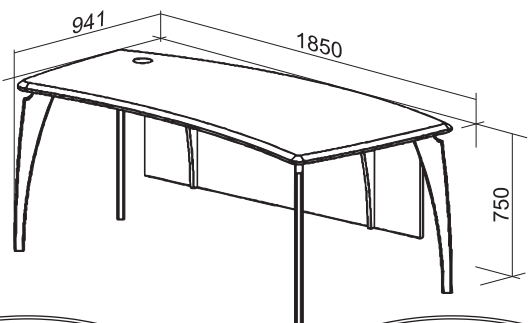


Kreisā puse

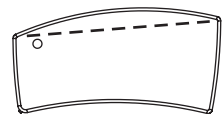


Labā puse

## Desk

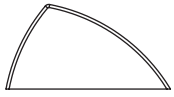
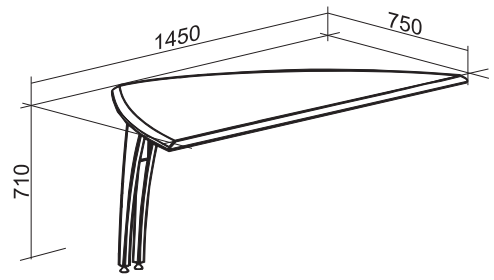


Kreisā puse

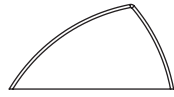


Labā puse

# Side desk



Kreisā puse



Labā puse





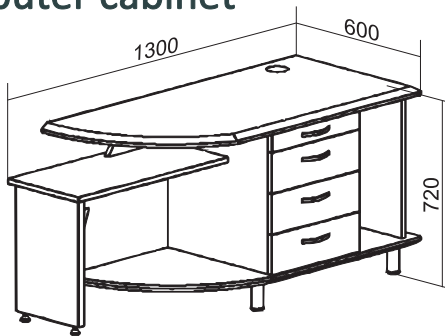
# ART

## ART 1

K - left side; L - right side; V - cover shield



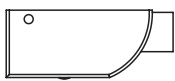
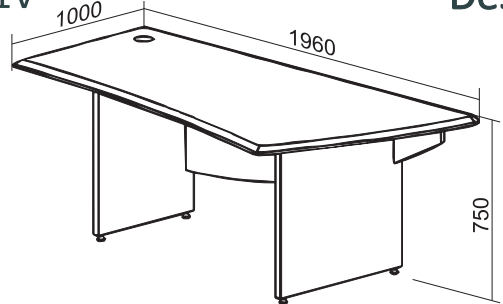
Computer cabinet



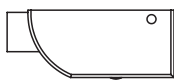
ART 1

ART 1V

Desk



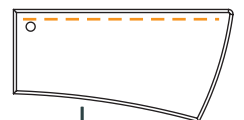
K



L



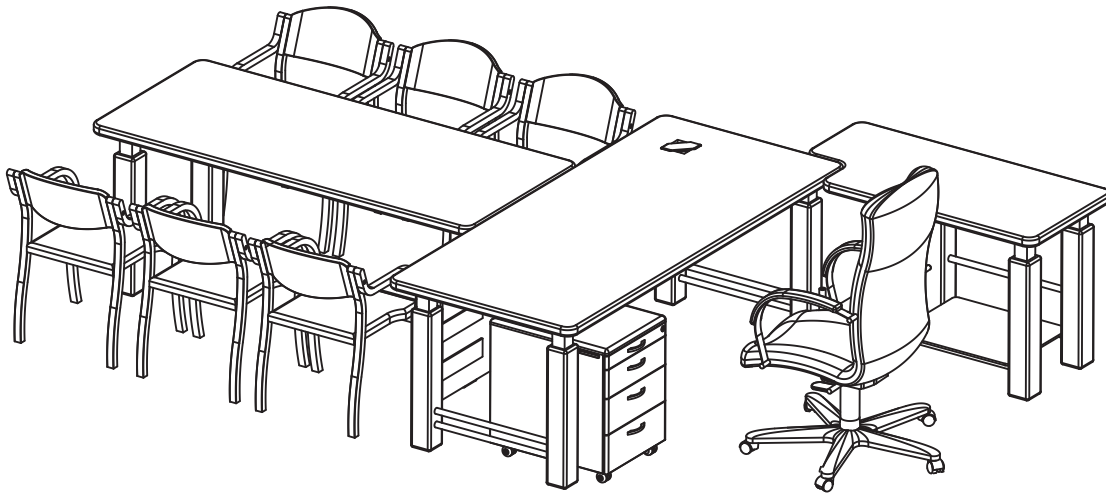
K



L

# ART 2

K - left side; L - right side; V - cover shield

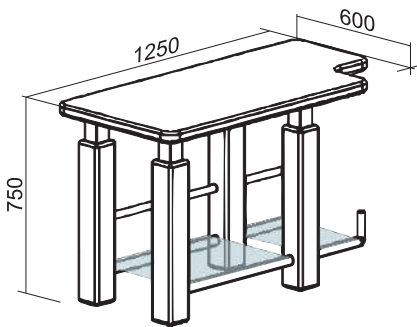


Computer cabinet

ART 2

ART 2V

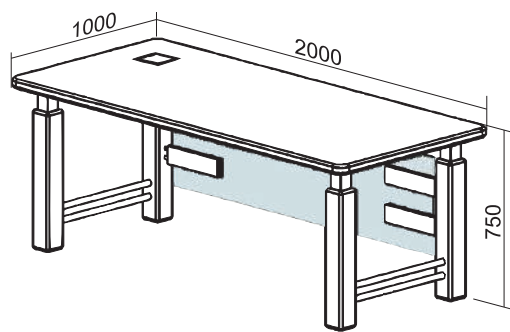
Desk



K



L



K



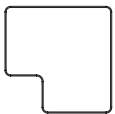
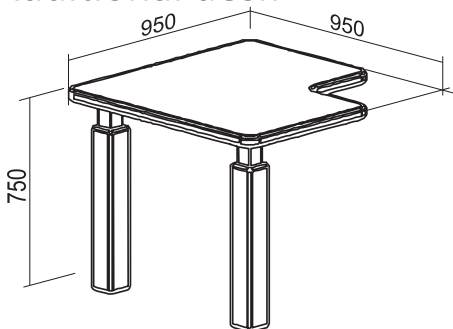
L

Additional desk

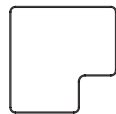
ART 2

ART 6

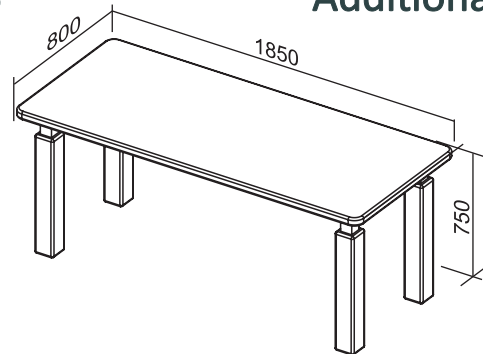
Additional desk



K



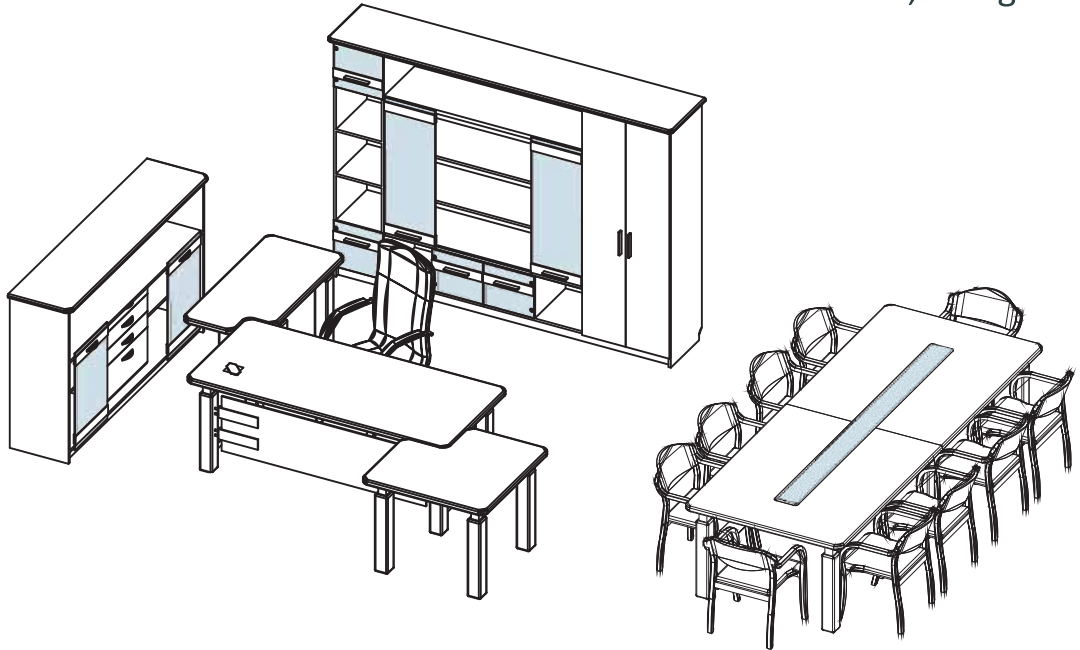
L



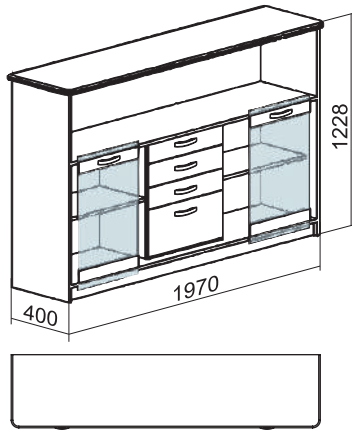


# ART 2

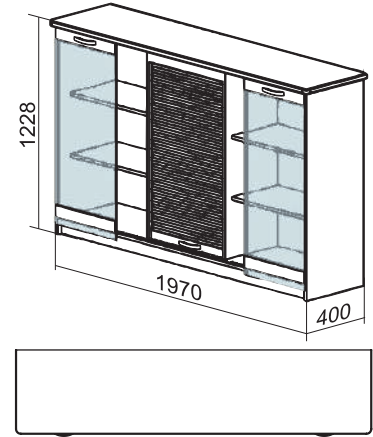
K - left side; L - right side



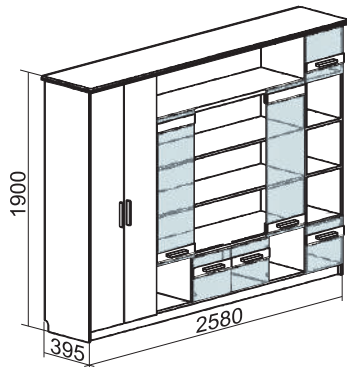
**Shelving unit**  
ART MA



**Shelving unit**  
ART MR



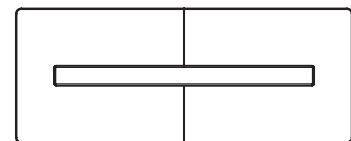
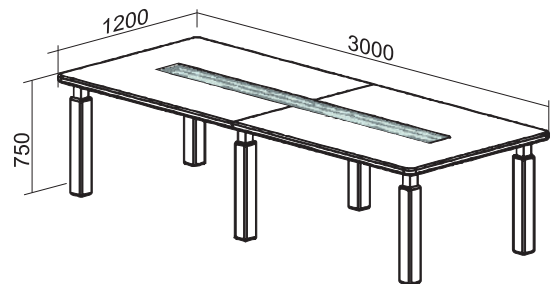
**Shelving unit**  
ART



K

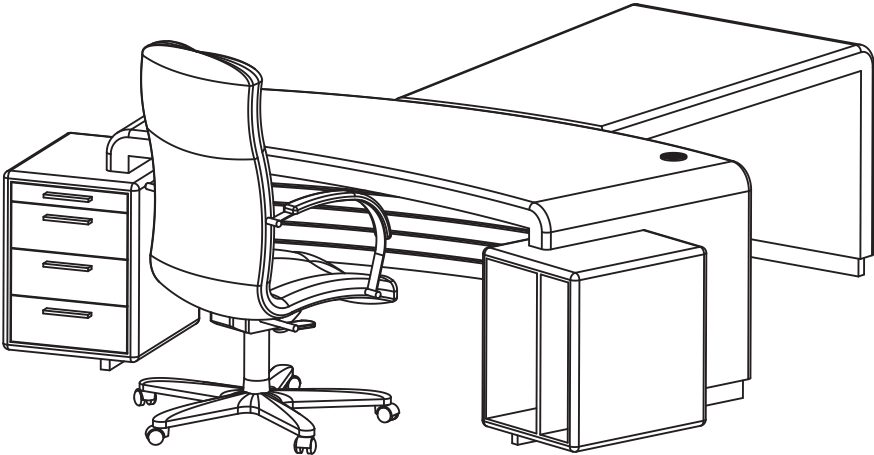
L

**Meeting table**  
ART -2



# ART 3

K - left side; L - right side; V - cover shield

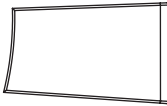
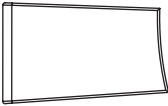
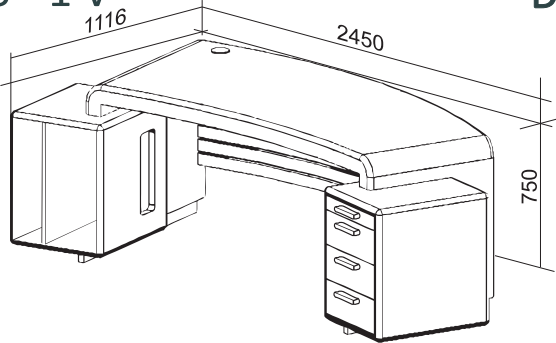
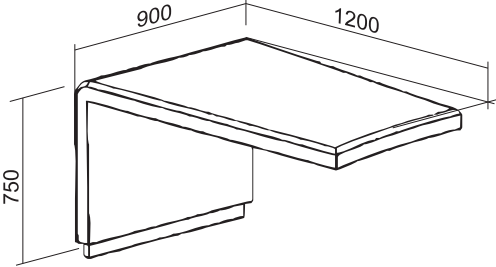


Additional desk

ART 3 - 1

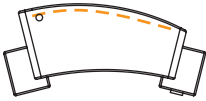
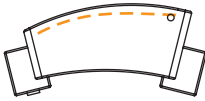
ART 3 - 1 V

Desk



K

L

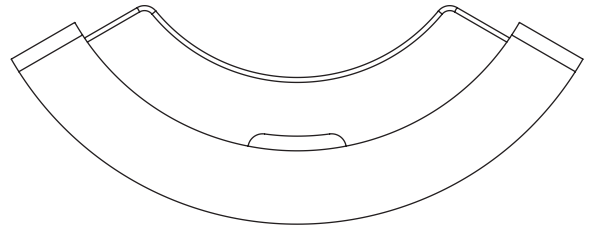
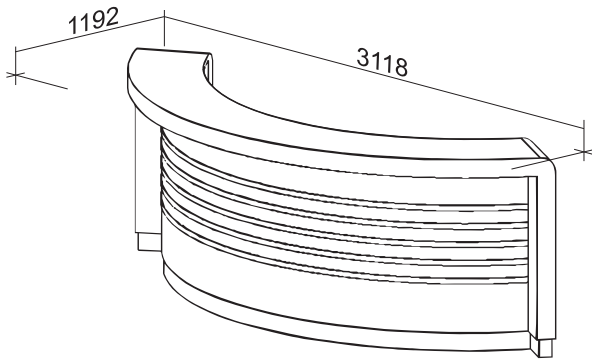


K

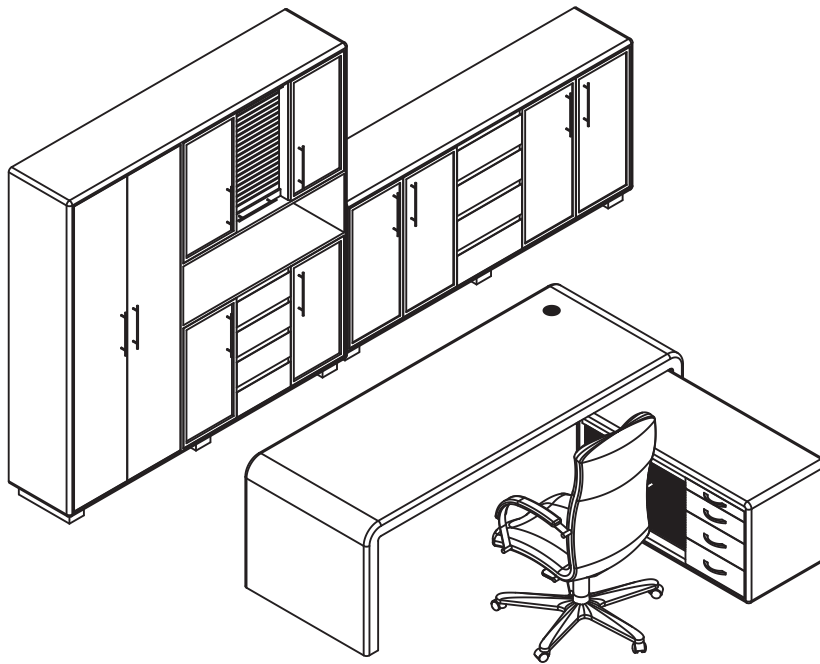
L

Admin counter

ART 3

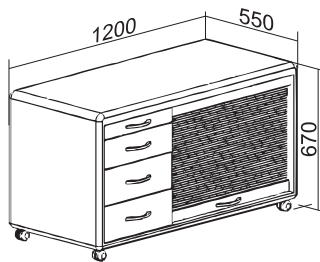


K - left side; L - right side; V - cover shield

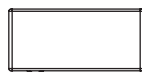


Computer cabinet

ART 3 - 2



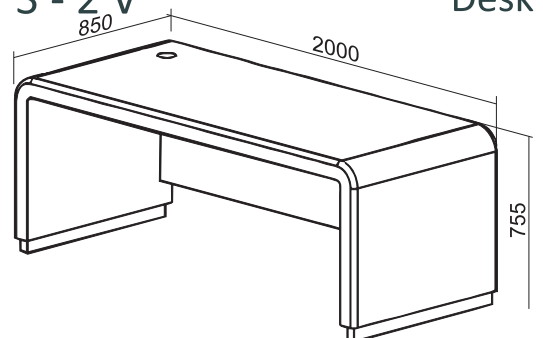
K



L

ART 3 - 2 V

Desk

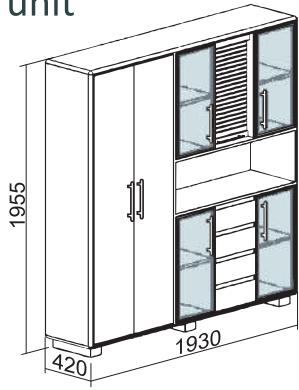


K



L

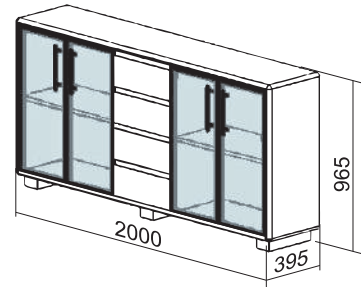
Shelving unit



ART 3

ART 3 - M

Shelving unit



K

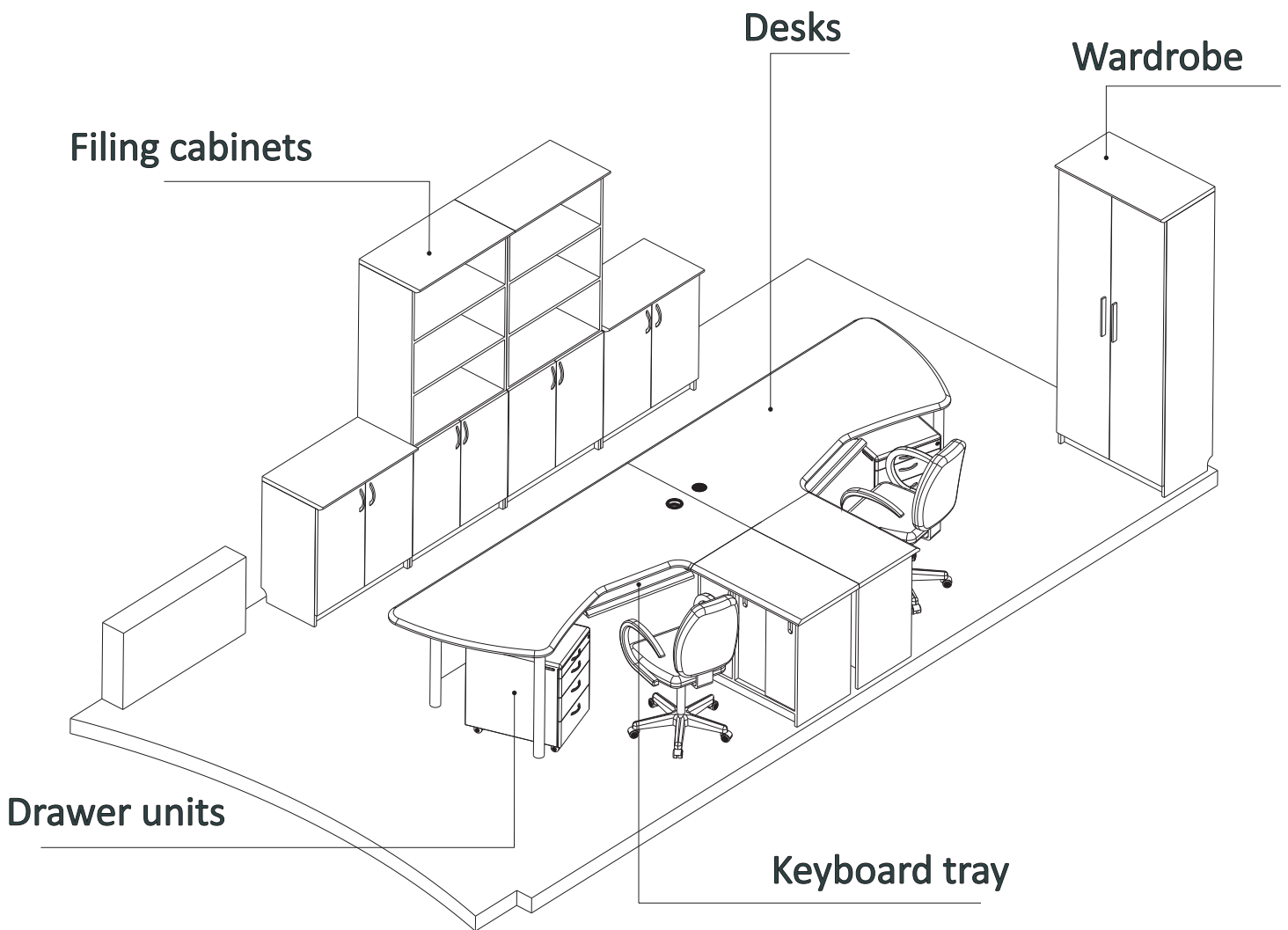


L





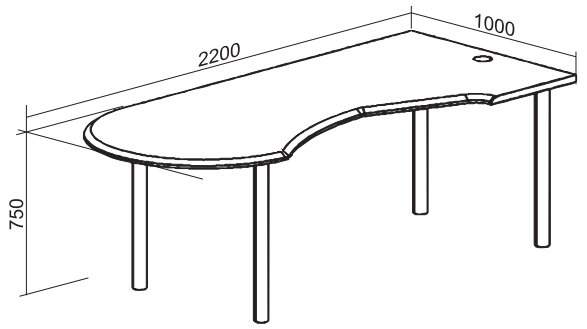
# Standart



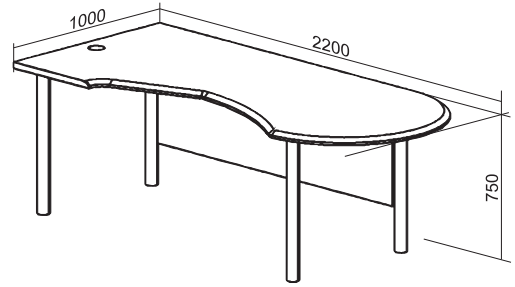
# Desks

K - left side; L - right side; V - cover shield

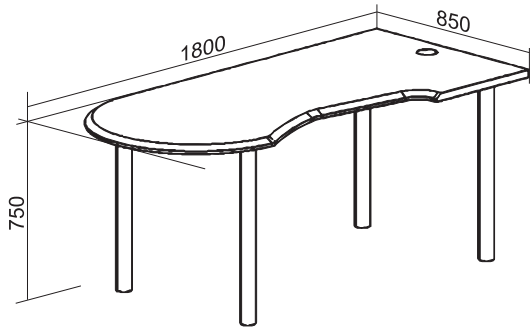
G- 100



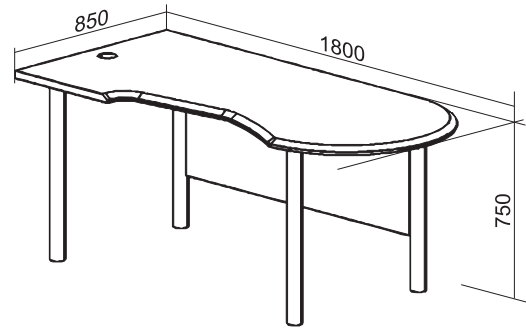
G- 100 V



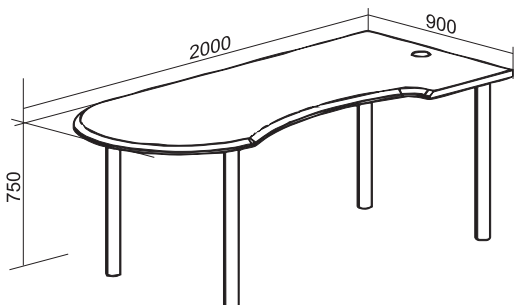
G- 180



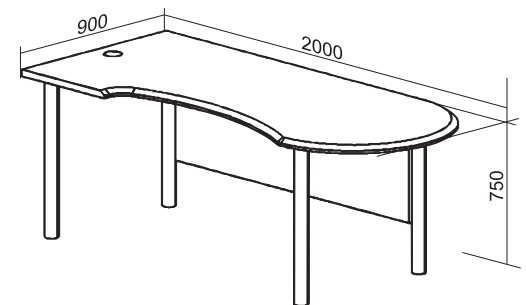
G- 180 V



G- 200



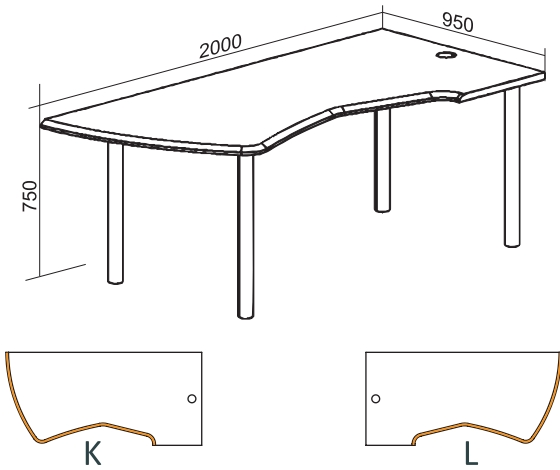
G- 200 V



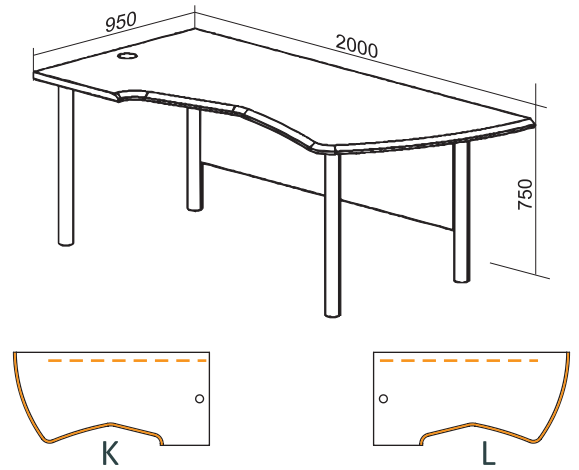
# Desks

K - left side; L - right side; V - cover shield

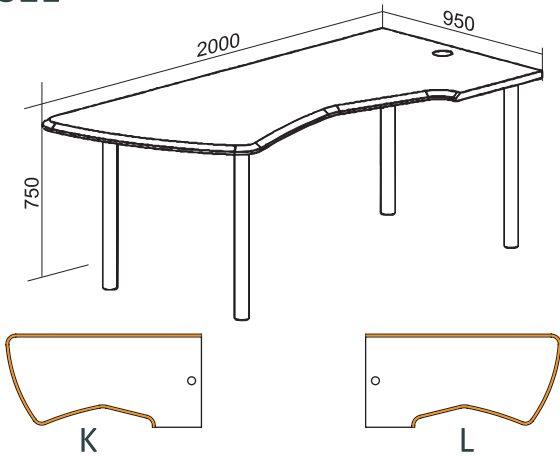
G- 320



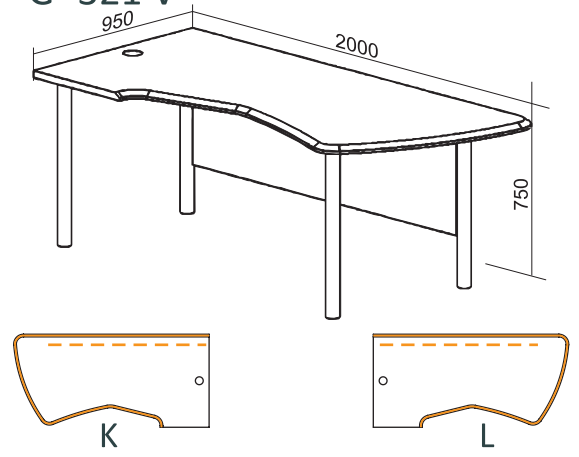
G- 320 V



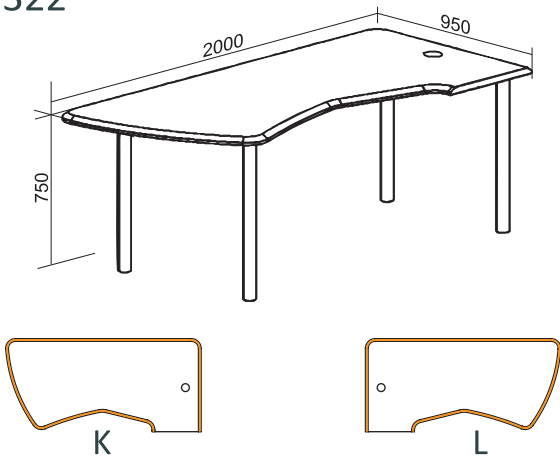
G- 321



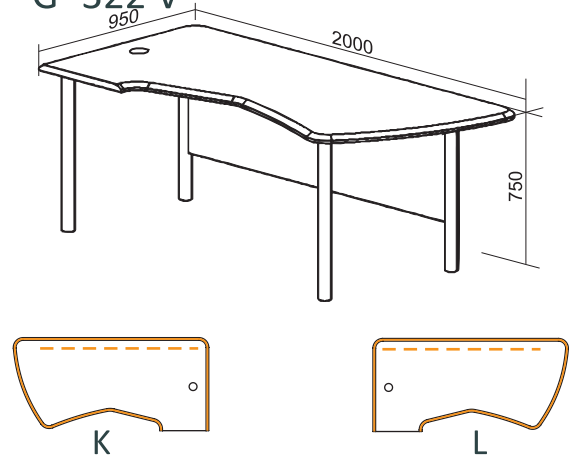
G- 321 V



G- 322



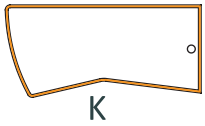
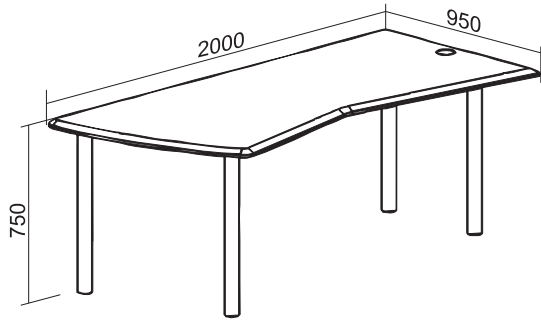
G- 322 V



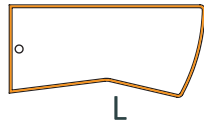
# Desks

K - left side; L - right side; V - cover shield

G- 10

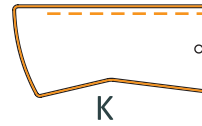
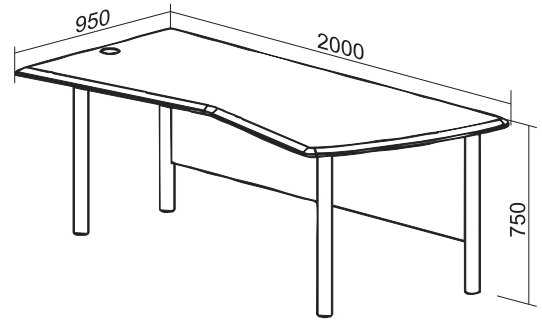


K

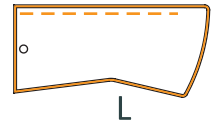


L

G- 10 V

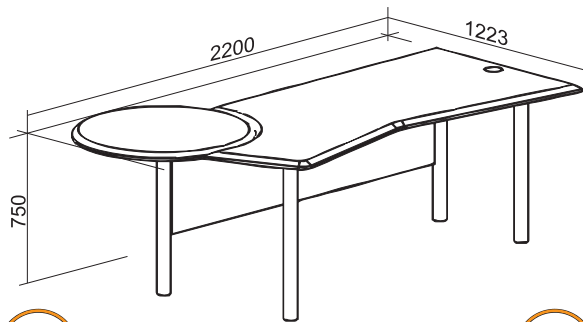


K

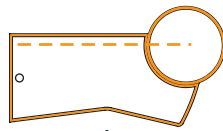


L

G- 11 V

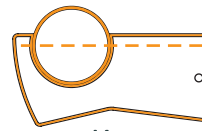
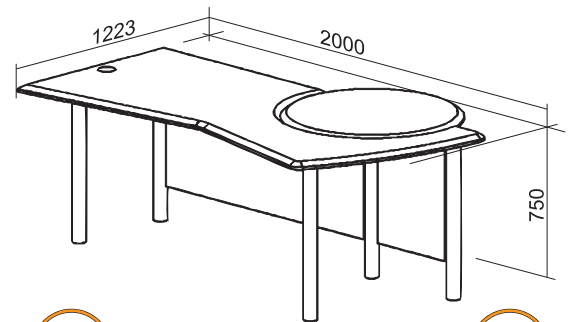


K

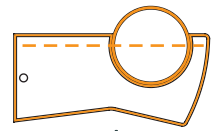


L

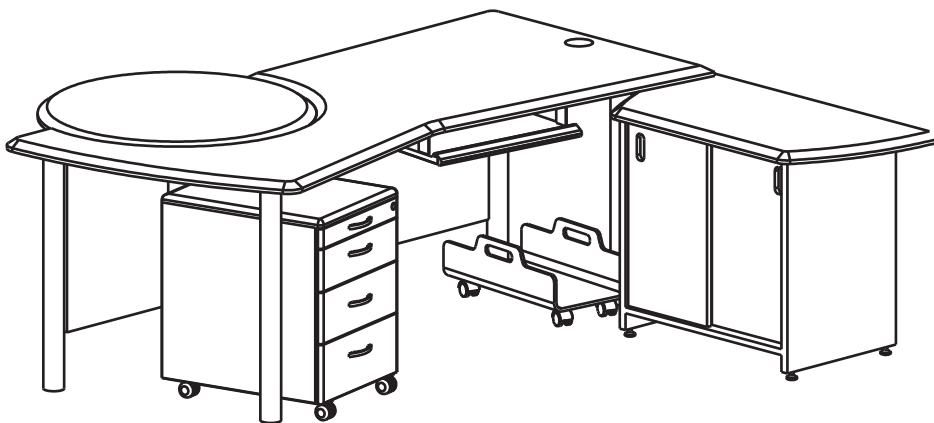
G- 12 V



K



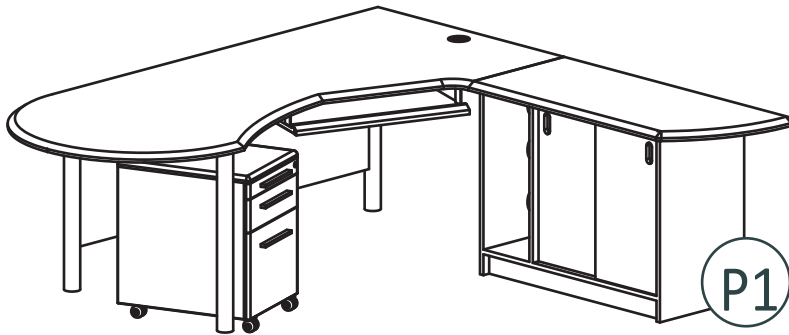
L



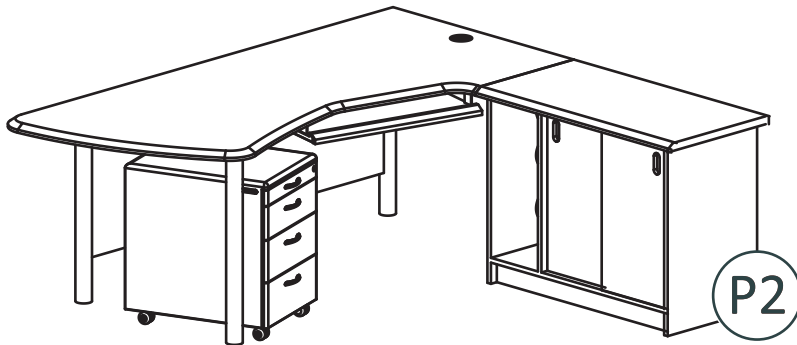


# Desks

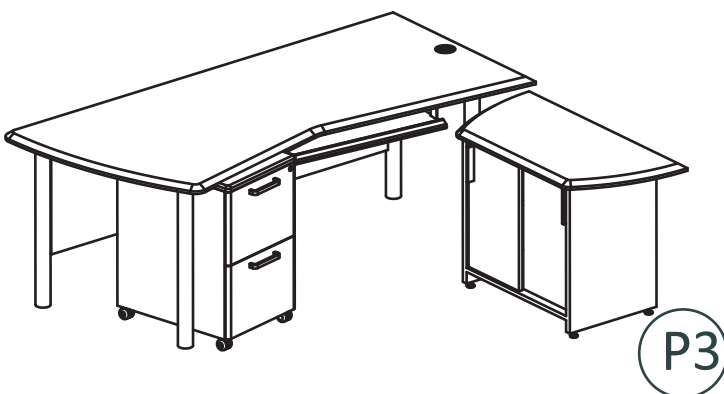
## Examples



Desk G - 100 KV  
Computer cabinet Skb - 4 K  
Drawer unit T - 3  
Keyboard tray KL



Desk G - 321 KV  
Computer cabinet Skb - 2 K  
Drawer unit T - 4  
Keyboard tray KL



Desk G - 10 KV  
Computer cabinet Sk - 10 K  
Drawer unit T - 2  
Keyboard tray KL

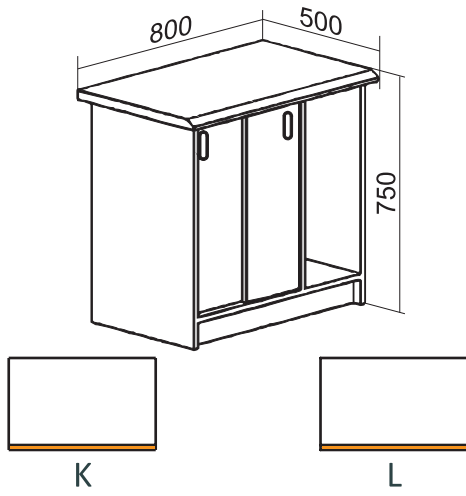
# Computer cabinets

K - left side  
L - right side

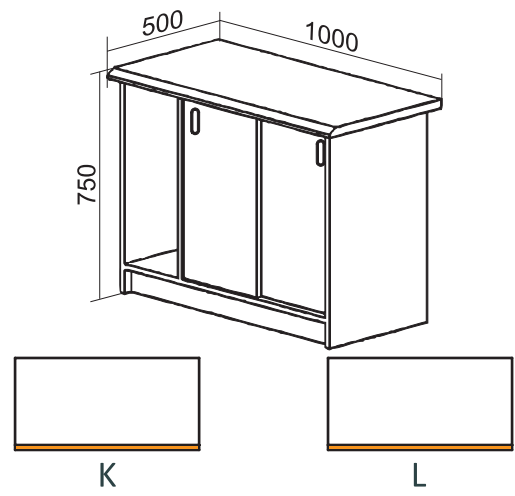
**Skb** - computer cabinet  
with sliding doors

**Skv** - computer cabinet  
with hinged doors

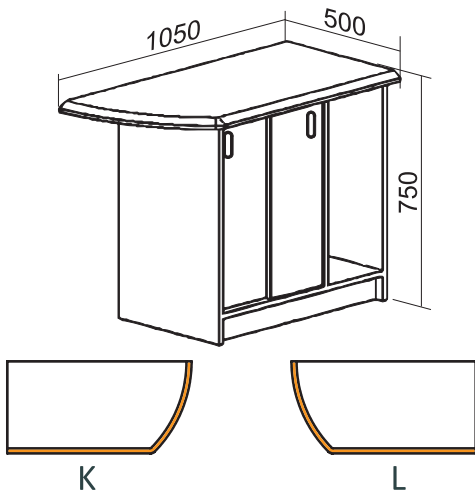
Skb- 1



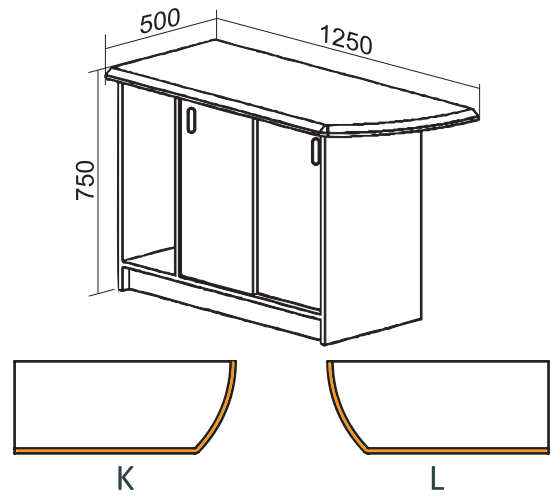
Skb- 2



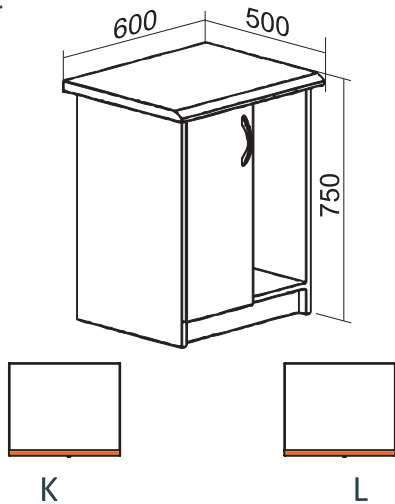
Skb- 3



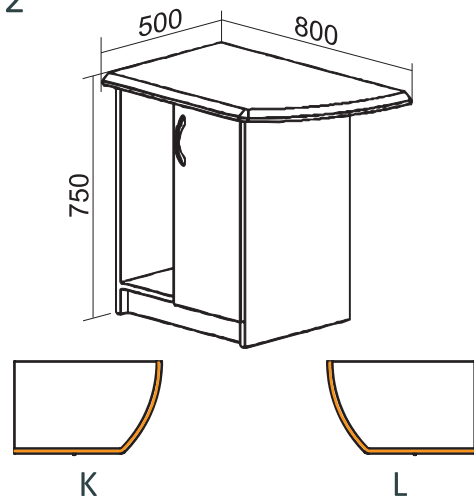
Skb- 4



Skv- 1



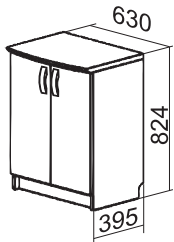
Skv- 2



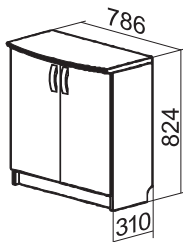
# Filing cabinets

**M** - number of shelves for placing folders  
**D** - number of shelves closed with doors  
**P** - number of open shelves  
**F** - number of drawers for file placement  
**AV, BV, CV, FV** - parameters (depth, width)

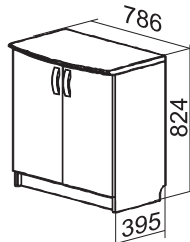
M2D2



AV



BV



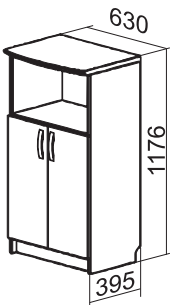
CV

M2F2

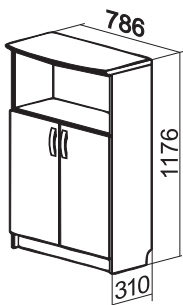


FV

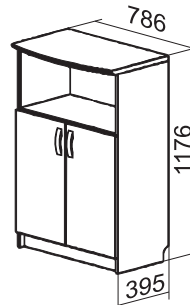
M3D2P



AV

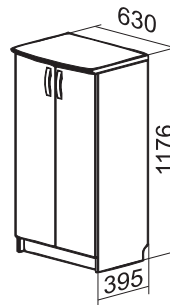


BV

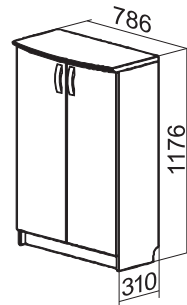


CV

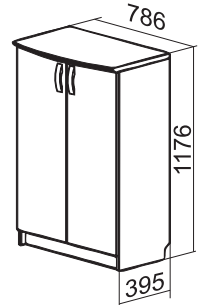
M3D3



AV

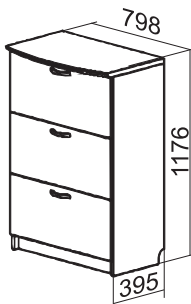


BV



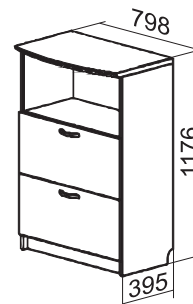
CV

M3F3



FV

M3F2P

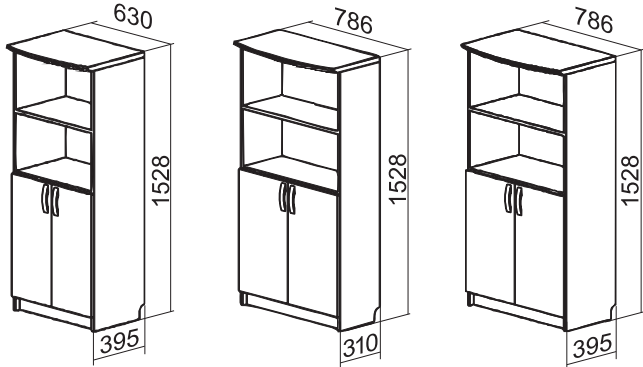


FV

# Filing cabinets

**M** - number of shelves for placing folders  
**D** - number of shelves closed with doors  
**P** - number of open shelves  
**F** - number of drawers for file placement  
**S** - glass doors  
**AV, BV, CV, FV** - parameters (depth, width)

M4D2P2

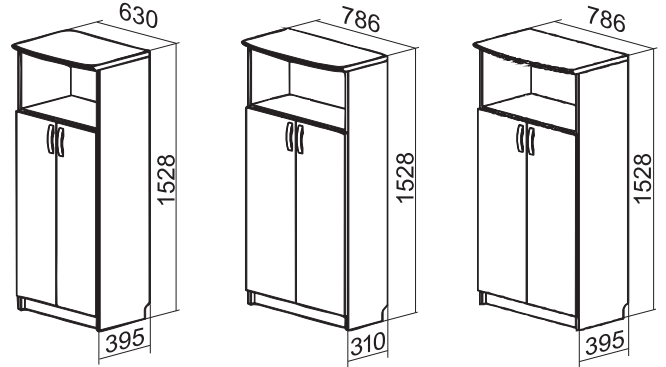


AV

BV

CV

M4D3P

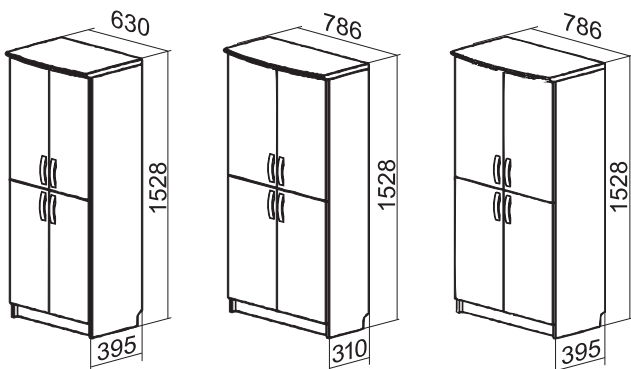


AV

BV

CV

M4D2D2

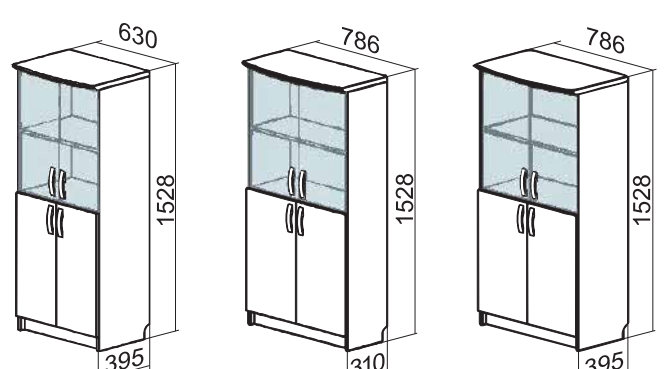


AV

BV

CV

M4D2D2

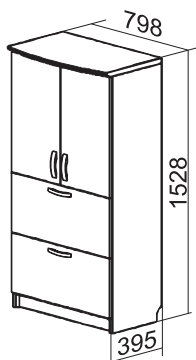


AVS

BVS

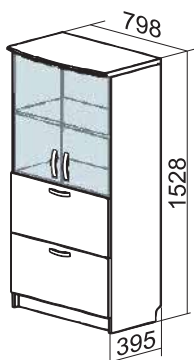
CVS

M4F2D2



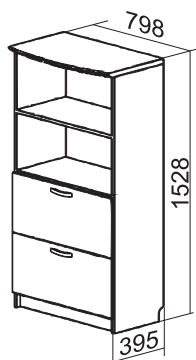
FV

M4F2D2



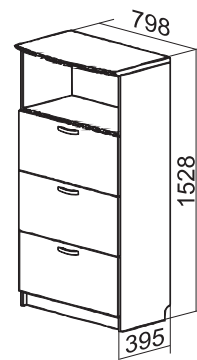
FVS

M4F2P2



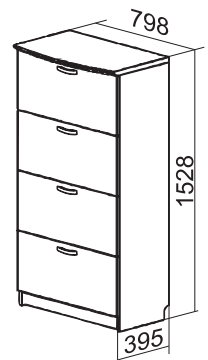
FV

M4F3P



FV

M4F4

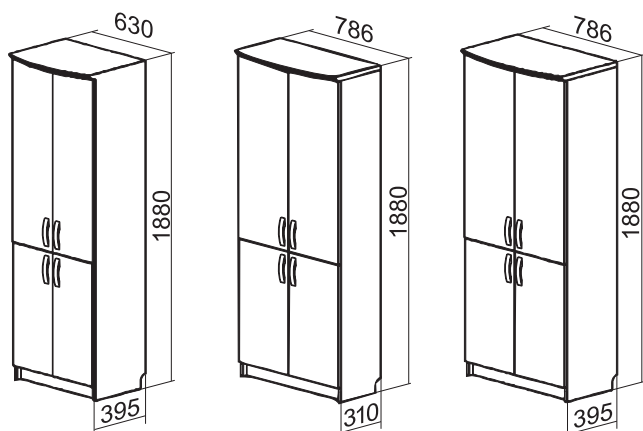


FV

# Filing cabinets

**M** - number of shelves for placing folders  
**D** - number of shelves closed with doors  
**P** - number of open shelves  
**F** - number of drawers for file placement  
**S** - glass doors  
**AV, BV, CV, FV** - parameters (depth, width)

M5D2D3

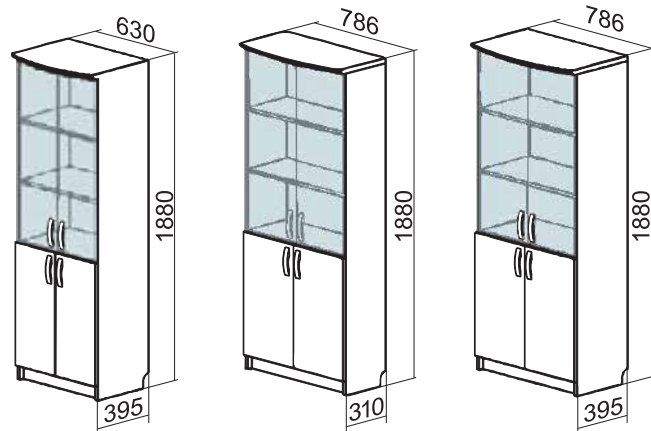


AV

BV

CV

M5D2D3

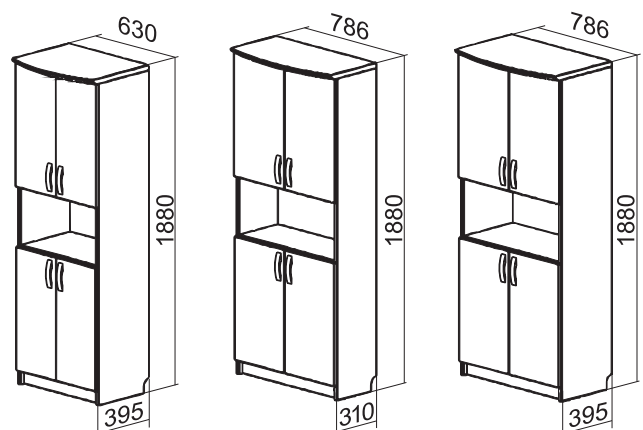


AVS

BVS

CVS

M5D2PD2

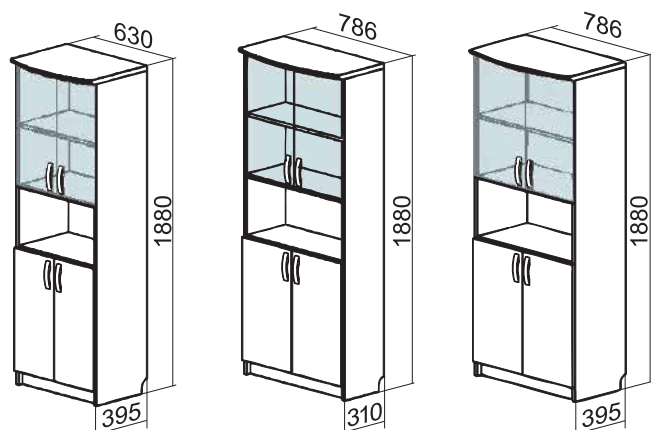


AV

BV

CV

M5D2PD2

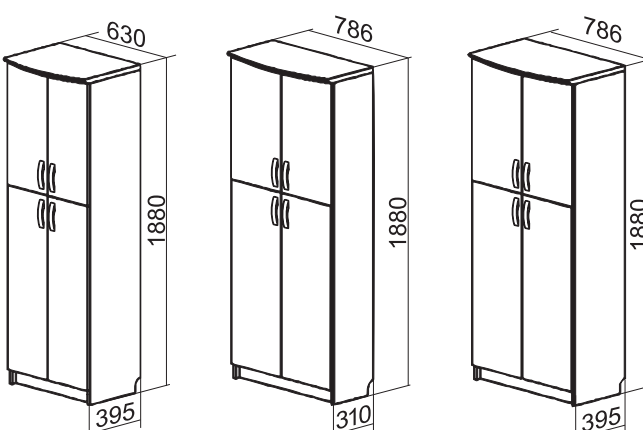


AVS

BVS

CVS

M5D3D2

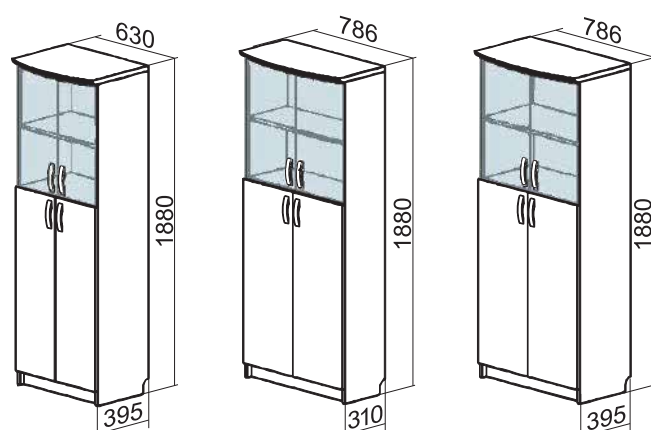


AV

BV

CV

M5D3D2



AVS

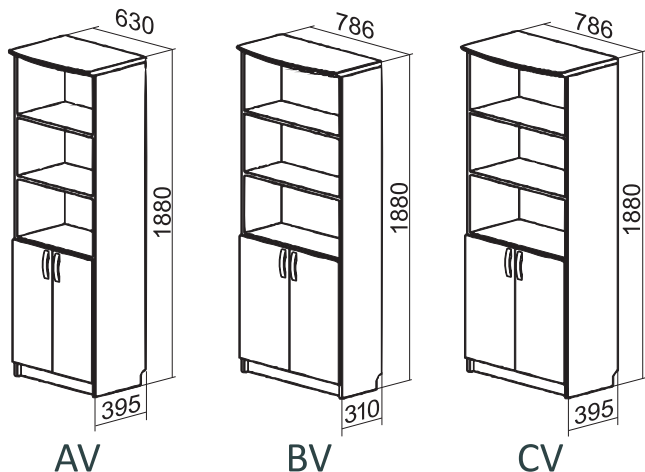
BVS

CVS

# Filing cabinets

**M** - number of shelves for placing folders  
**D** - number of shelves closed with doors  
**P** - number of open shelves  
**F** - number of drawers for file placement  
**S** - glass doors  
**AV, BV, CV, FV** - parameters (depth, width)

M5D2P3

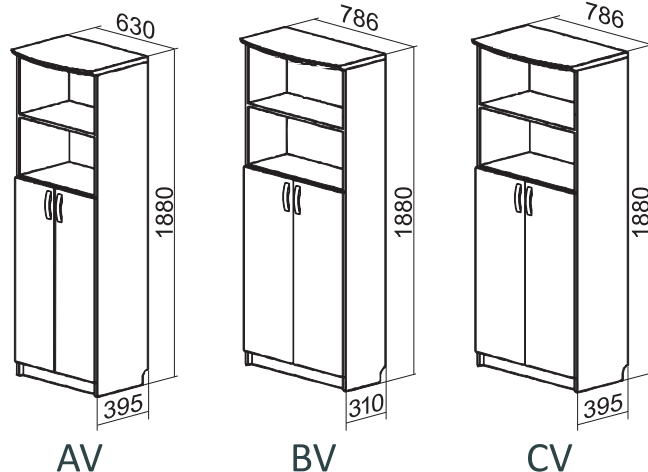


AV

BV

CV

M5D3P2

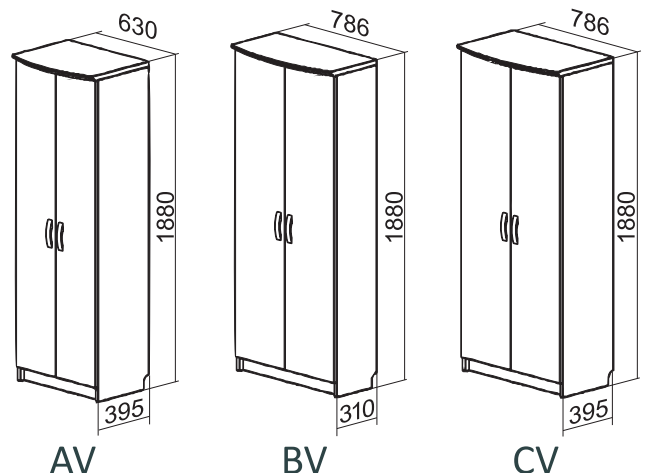


AV

BV

CV

M5D5

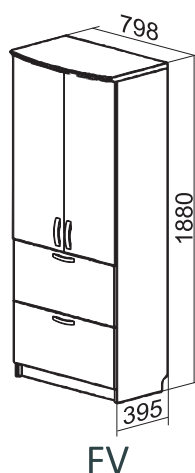


AV

BV

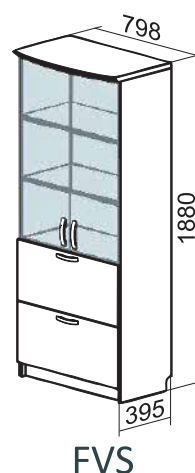
CV

M5F2D3



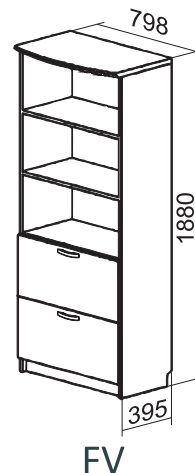
FV

M5F2D3



FVS

M5F2P3

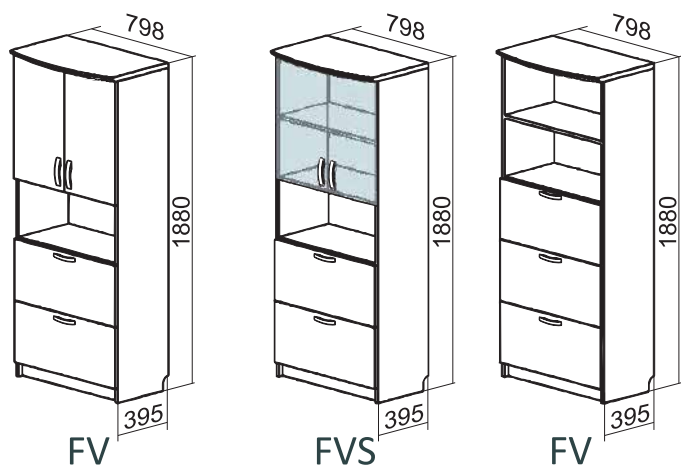


FV

M5F2PD2

M5F2PD2

M5F3P2



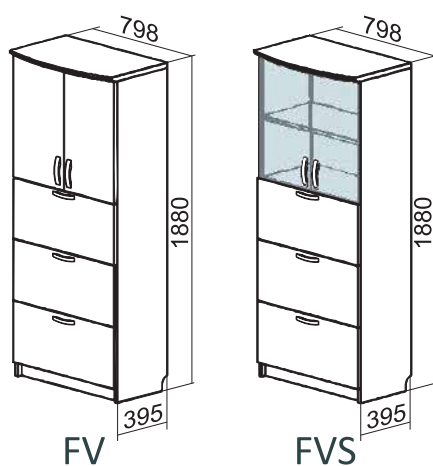
FV

FVS

FV

M5F3D2

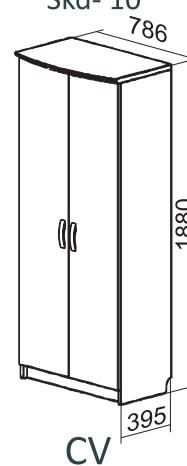
M5F3D2



FV

FVS

wardrobe  
Skd- 10

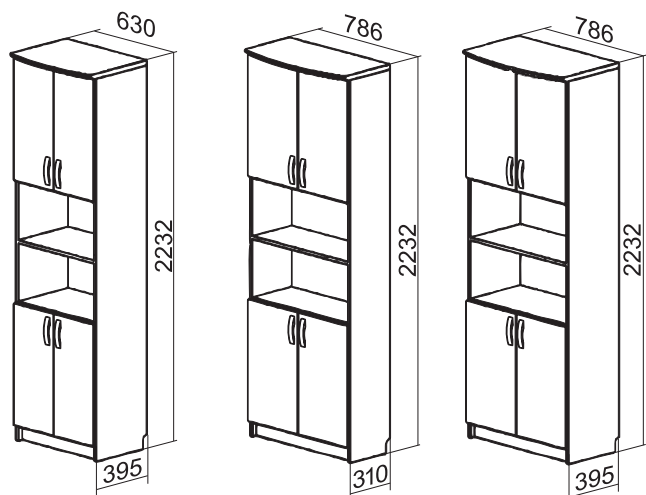


CV

# Filing cabinets

**M** - number of shelves for placing folders  
**D** - number of shelves closed with doors  
**P** - number of open shelves  
**F** - number of drawers for file placement  
**S** - glass doors  
**AV, BV, CV, FV** - parameters (depth, width)

M6D2P2D2

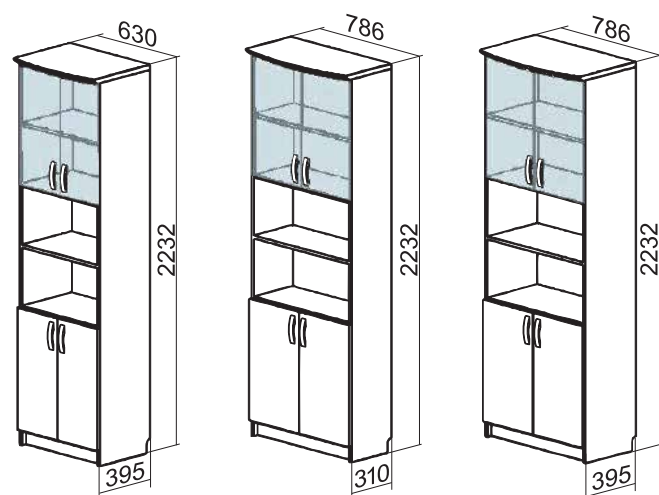


AV

BV

CV

M6D2P2D2

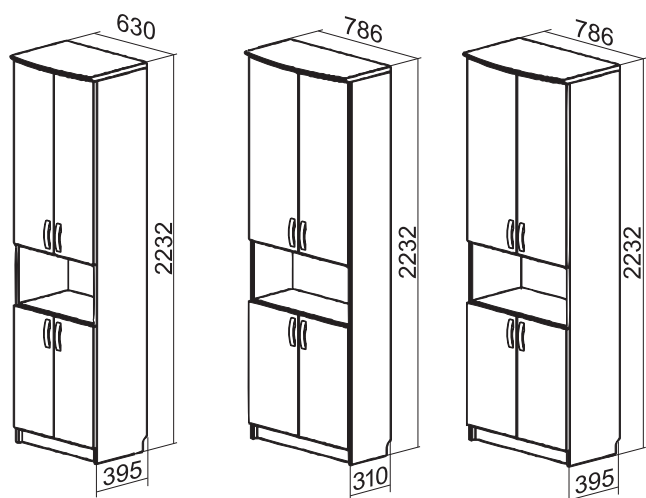


AVS

BVS

CVS

M6D2PD3

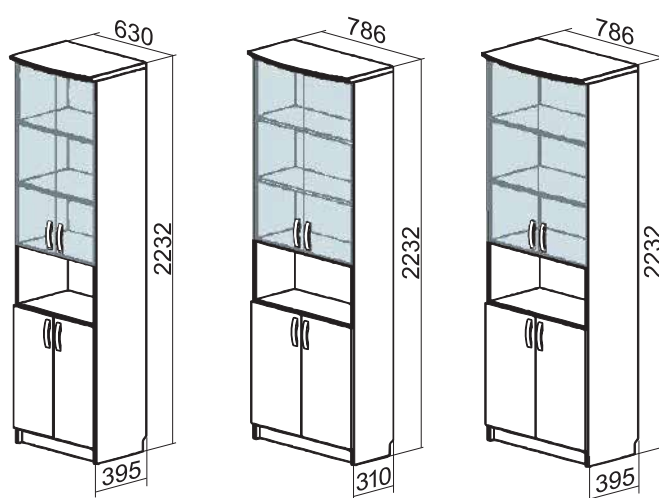


AV

BV

CV

M6D2PD3



AVS

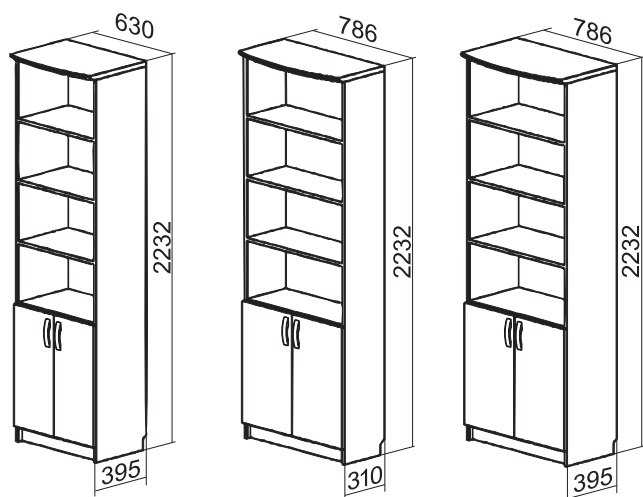
BVS

CVS

# Filing cabinets

M - number of shelves for placing folders  
 D - number of shelves closed with doors  
 P - number of open shelves  
 F - number of drawers for file placement  
 S - glass doors  
 AV, BV, CV, FV - parameters (depth, width)

M6D2P4

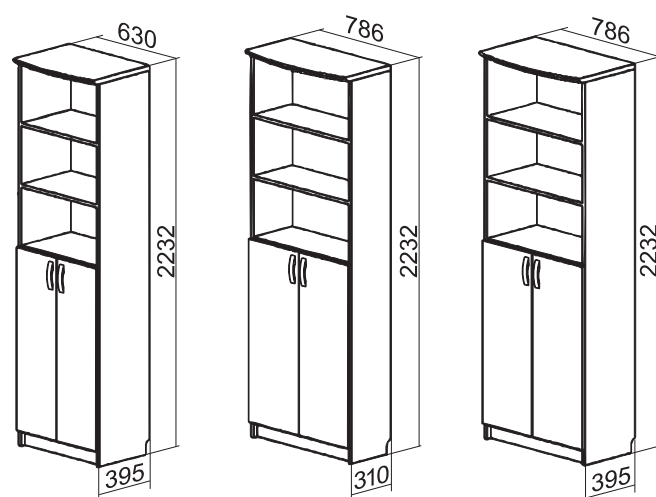


AV

BV

CV

M6D3P3

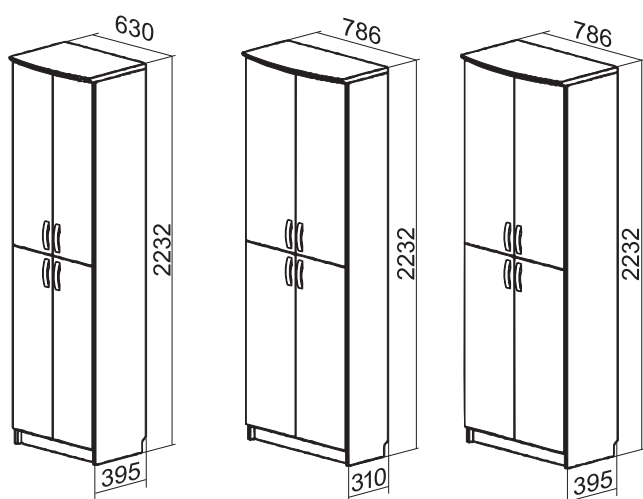


AV

BV

CV

M6D3D3

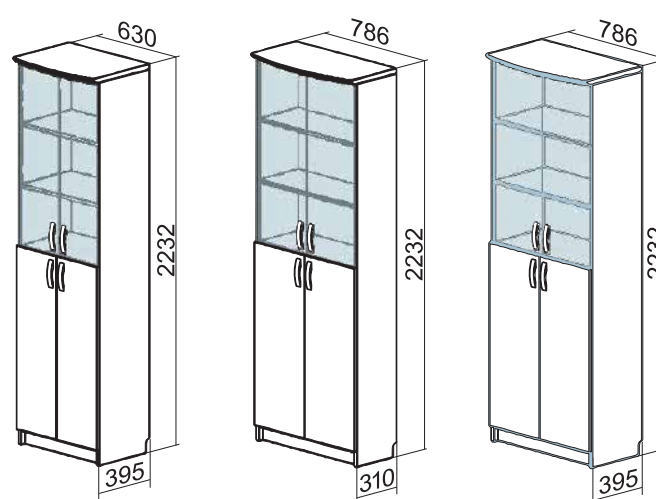


AV

BV

CV

M6D3D3



AVS

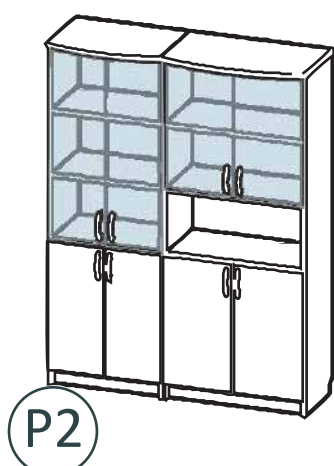
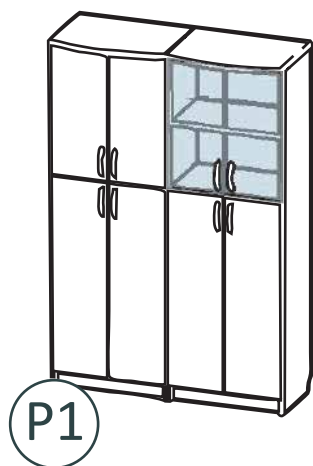
BVS

CVS



# Filing cabinets

## Examples

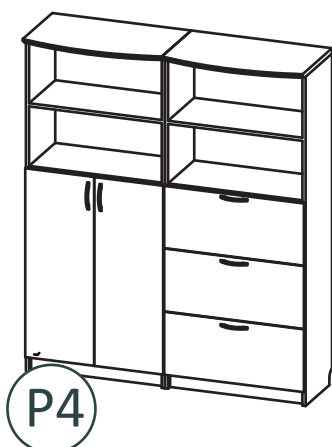
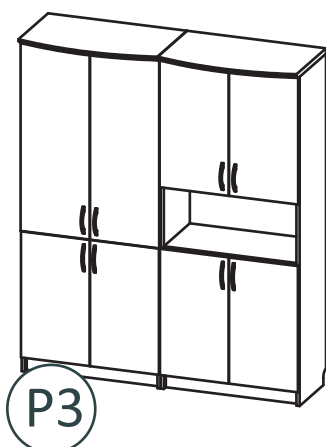


1 pcs. M5D3D2 AV  
1 pcs. M5D3D2 AVS

P1

1 pcs. M5D2D3 AVS  
1 pcs. M5D2PD2 CVS

P2

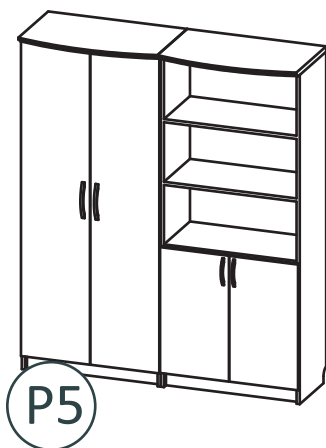


1 pcs. M5D2D3 CV  
1 pcs. M5D2PD2 CV

P3

1 pcs. M5D3P2 CV  
1 pcs. M5F32P2 FV

P4



1 pcs. Skd - 10 CV  
1 pcs. M5D2P3 CV

P5

1 pcs. Skd - 10 CV  
1 pcs. M5F2D3 FVS

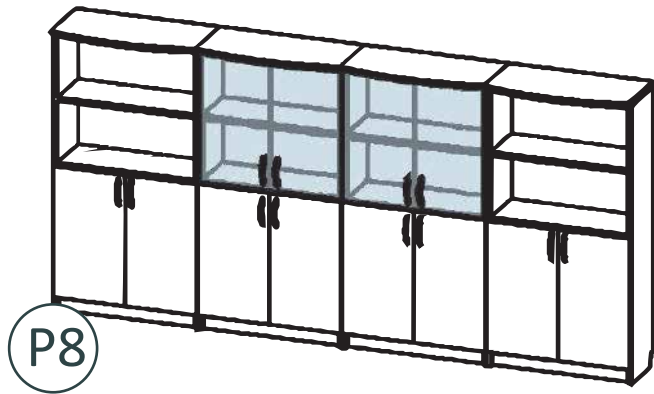
P6

# Filing cabinets

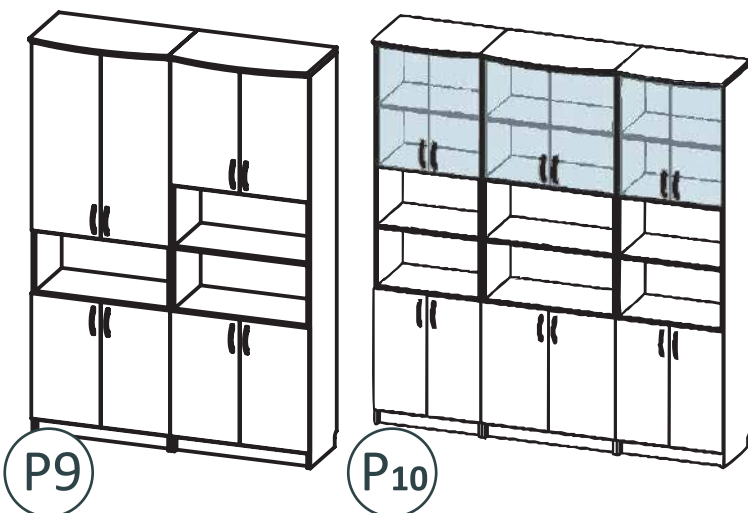
## Examples



2 pcs. M2D2 CV  
2 pcs. M3D2P CV



2 pcs. M4D2P2 BV  
2 pcs. M4D2D2 BVS



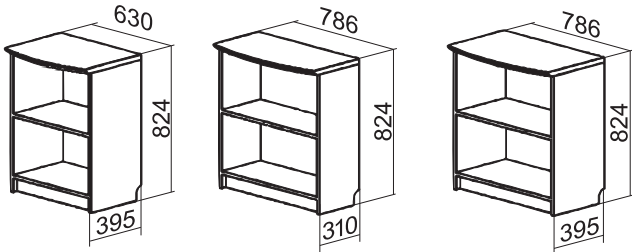
1 pcs. M6D2PD3 CV  
1 pcs. M6D2P2D2 CV

2 pcs. M6D2P2D2 AVS  
1 pcs. M6D2P2D2 CVS

# Shelves

**M** - number of shelves for placing folders  
**AV, BV, CV, FV** - parameters (depth, width)

M2

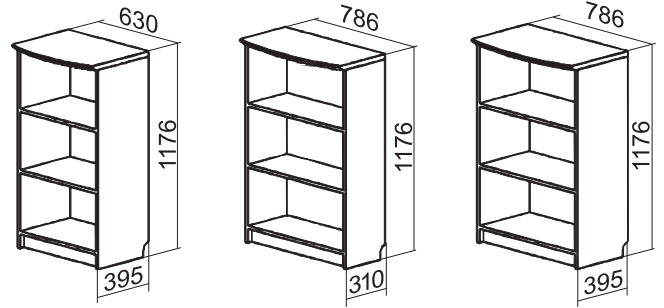


AV

BV

CV

M3

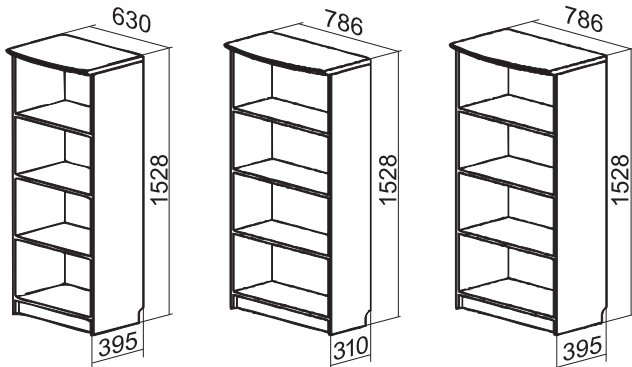


AV

BV

CV

M4

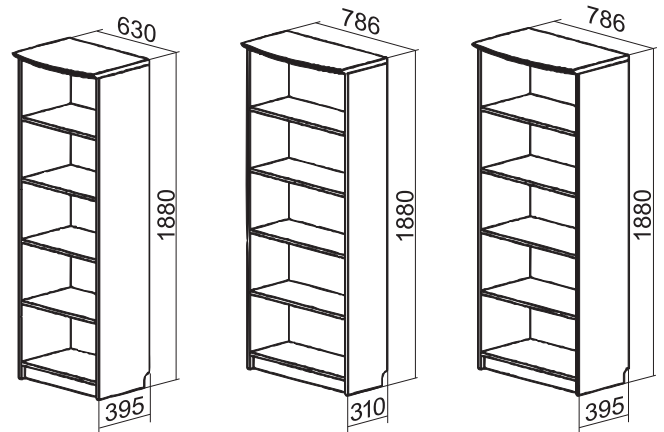


AV

BV

CV

M5

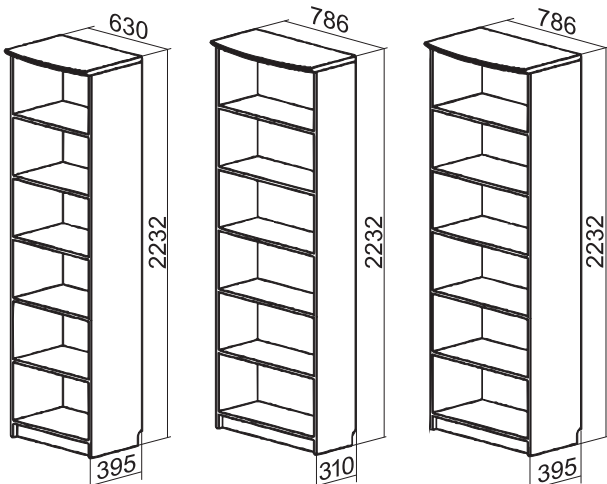


AV

BV

CV

M6



AV

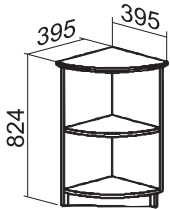
BV

CV

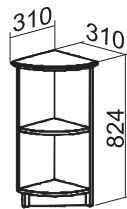
# Corner shelves

PI - number of shelves  
AV, BV - parameters (depth, width)

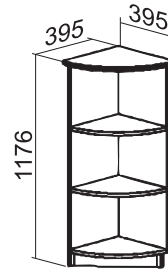
PI-2 AV



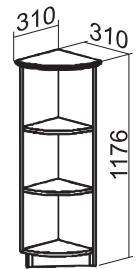
PI-2 BV



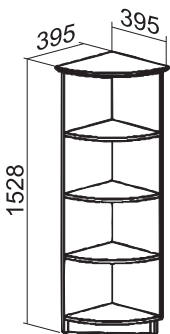
PI-3 AV



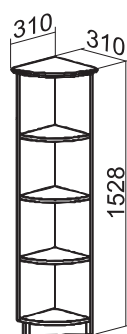
PI-3 BV



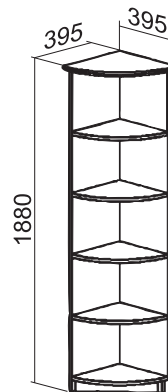
PI-4 AV



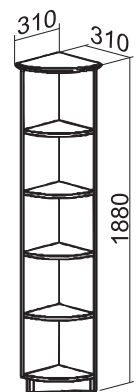
PI-4 BV



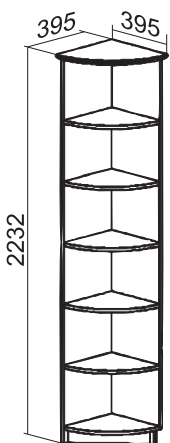
PI-5 AV



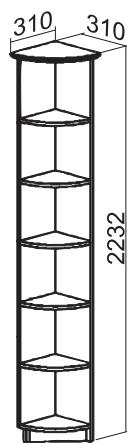
PI-5 BV



PI-6 AV



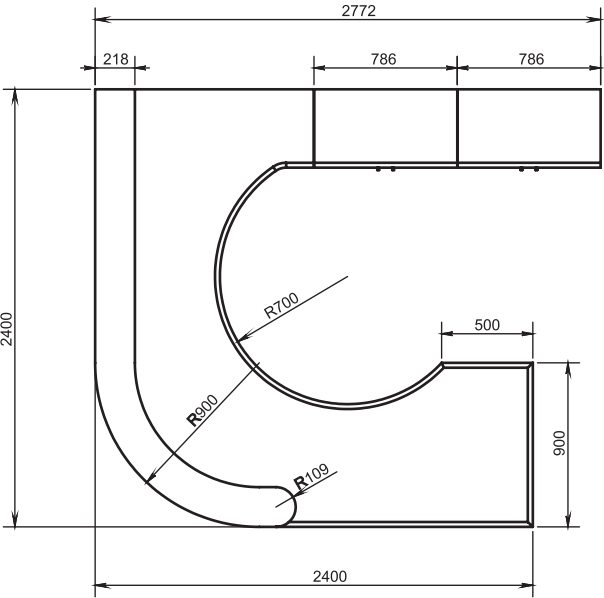
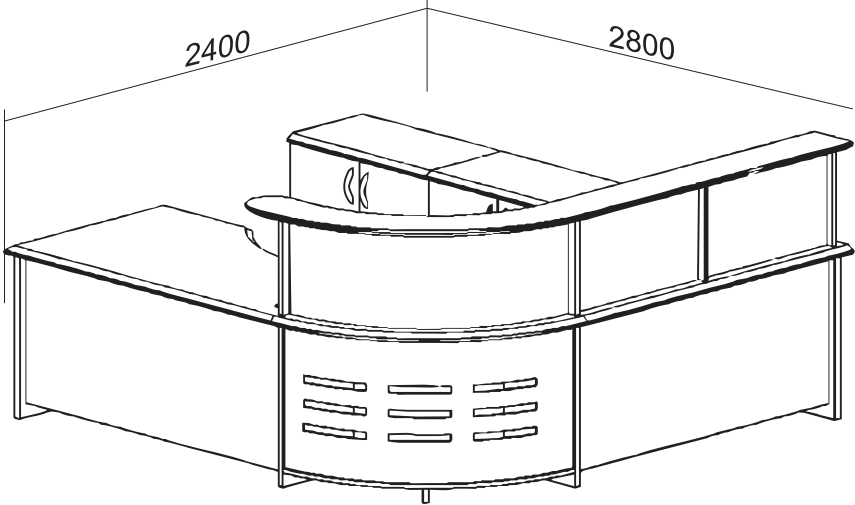
PI-6 BV



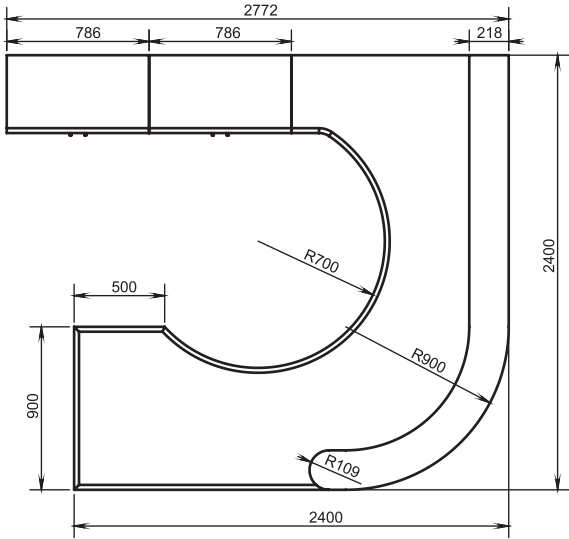
# Counter

K - left side; L - right side

STANDART



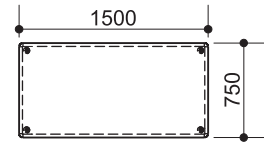
K



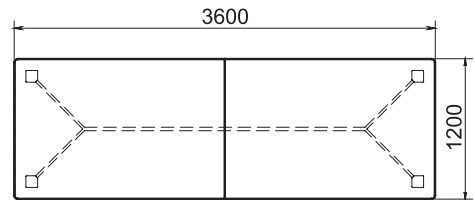
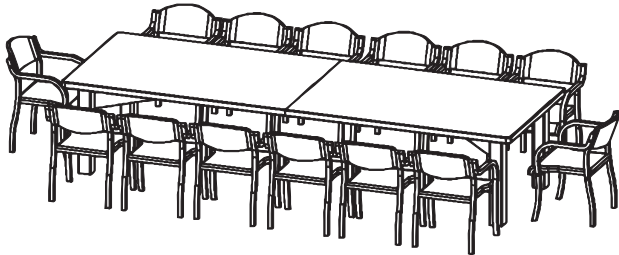
L

# Meeting tables

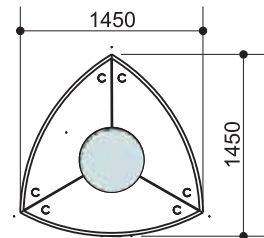
AG-150



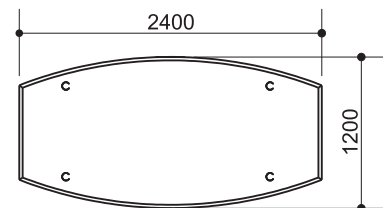
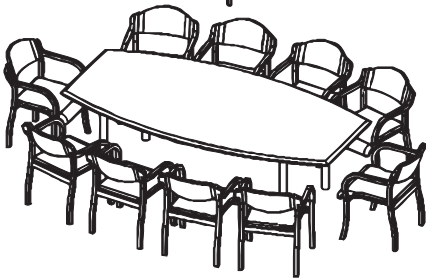
VM-2



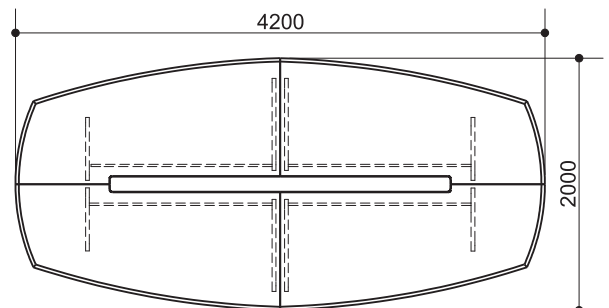
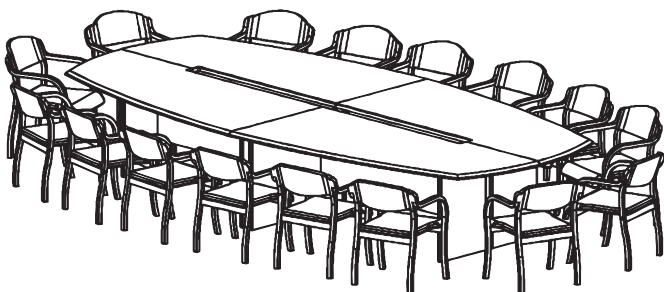
AG-3



AG-1



AG-4



# UP!

## Height adjustable desks

It is not recommended for a person to spend a working day in one fixed sitting position.

Change of position is the best way to relax one's body, thus, also taking care of one's health.

Physiotherapists recommend spending at least 2 h a day in a standing position for people who have a sitting work routine.



Health problems subside



Circulation improves and energy increases



Brain function improves



## Set

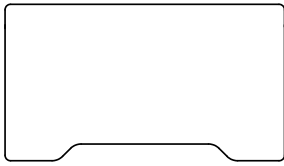
The basic set includes the legs, surface and control panel of the electric chair

### We offer additional parts:

- Partition wall/ a shield;
- Surface panel;
- Cable basket;
- Processor holder;
- Keyboard support;
- Wireless charger.



# The standart shape and dimensions of the surfaces



- Length: 150 - 240 cm
- Depth: 84 cm



## Additional furniture

### Filing cabinet LL



#### Sizes:

- Length - 80 cm
- Width - 38 cm
- Height - 117 cm

### Filing cabinet S



#### Sizes:

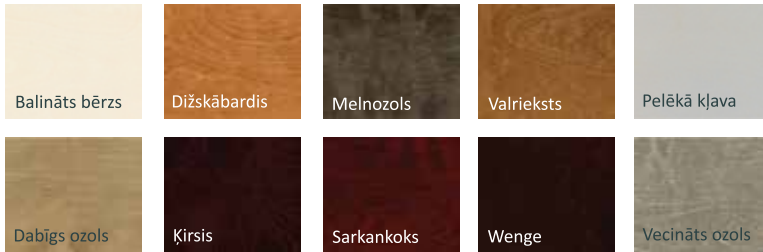
- Length - 100 cm
- Width - 40 cm
- Height - 40 cm





# Colour options

## Surfaces and fronts



## Partition walls



The information provided here is for reference only, and Troja SIA reserves the right to supplement and change the specification of manufactured products without prior notice.



[troja@finieris.lv](mailto:troja@finieris.lv)

[trojasmebles.lv](http://trojasmebles.lv)

[troja.lv](http://troja.lv)

02/2024